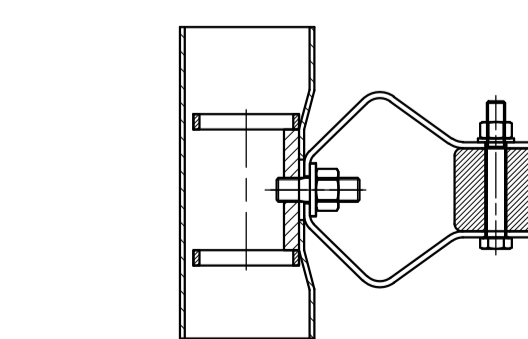
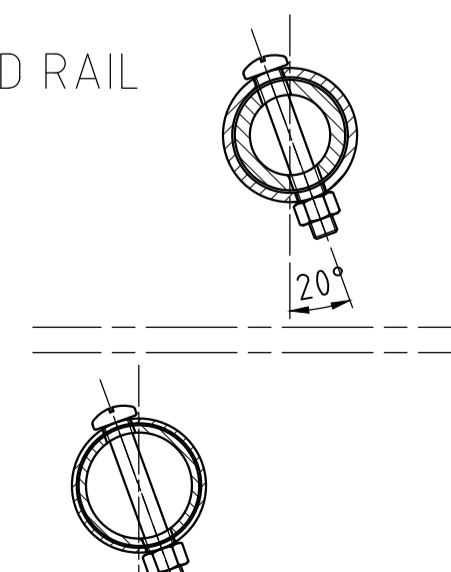


DETAIL 1 (1:5)  
JOINING OF TOP AND GUARD RAIL



(1:5)  
TOP VIEW ABSORPTION ELEMENT  
APPLIES TO ALL SORTS OF POSTS



(1:5)  
POSITION OF JOINT BOLT

This document is the property of Saferoad Birsta AB and may not, without written permission from Birstaverken AB, be copied, imparted to a third party or used for any other unauthorized purpose

		Birsta 3P H2g	
		POST DISTANCE ALT. CC: 2000, 1800 HEIGHT ALT.: 1200, 1400 FASTENING ALT.: STEEL FOUNDATION, CONCRETE FOUNDATION	
Assignment Manager	Assignment No.	VARIANT DRAWING	
Drawn / Design: SFM	Checked By:	Construction No.	Format / Scale
	2017-12-19	Objekt No.	Drawing No.
			3P H2g VARIANTER
Filename 3P VARIANTER		Sheet 1 / 1	bv A1